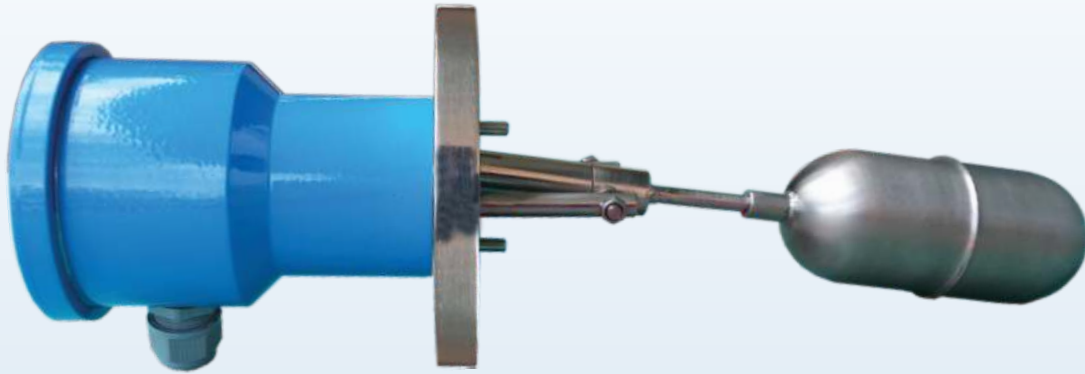


Side Mounted Level Switch



Description :

Side mounted level switch used to control liquid level in vessels containing corrosive or non corrosive liquids. It is used to pump control, Alarm, valve control or level indication.

Principle

The float lever carries a permanent magnet which is repelled by similar magnet mounted in the switch housing. The magnet having the same pole directed towards each other are separated by a non magnetic diaphragm. The gland less construction offer excellent sealing.

Construction

It consists of 3 main parts :

1. Housing with Micro Switch
2. Mounting Flange
3. Float Assembly

Features

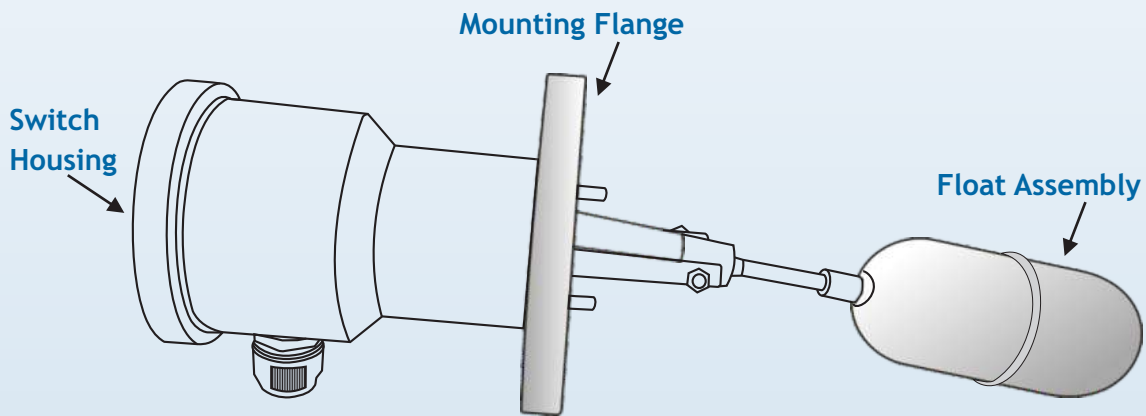
- Easy to install
- Reliable
- Available with different flange size
- Available in different MOC

Application

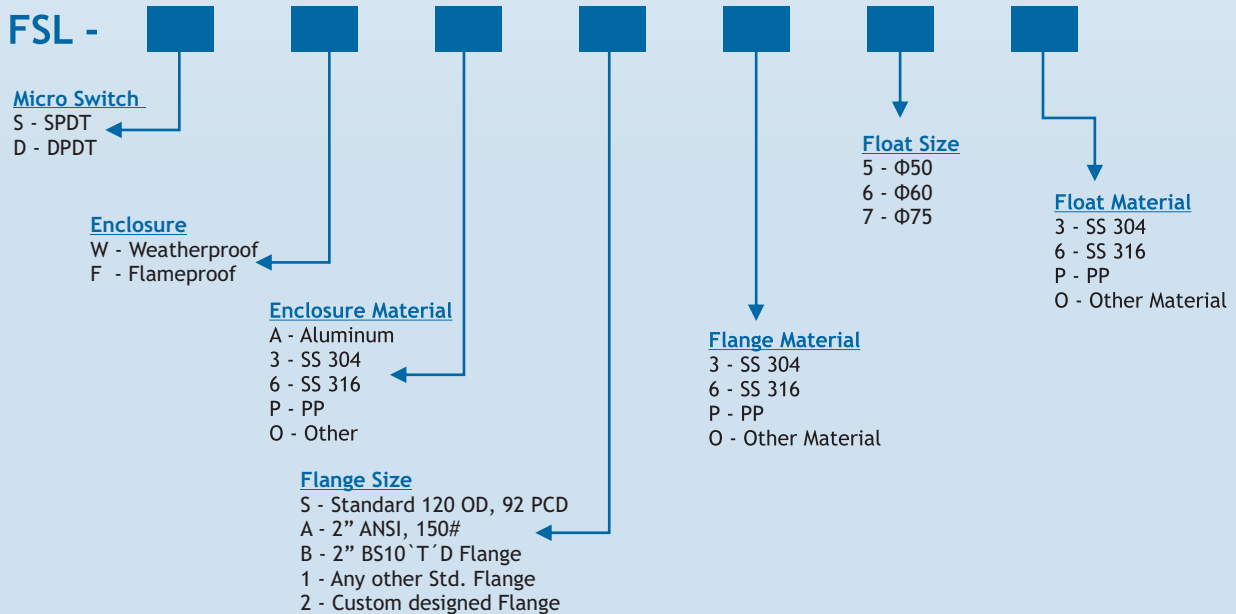
Water, Oil, Fuels, Chemical, Solvents, Syrup etc. ,

Technical Specification

| | |
|-----------------|--|
| Switch Type | : Micro Switch, SPDT |
| Switch Rating | : 240V AC, 5A |
| Enclosure | : Weather proof, Flame proof |
| MOC | : Cast Aluminum, SS, PP |
| Flange | : Standard Dia 120, 92 pcd Also available in ANSI, BIS, DIN Standard Flange |
| MOC | : SS 304, SS 316, PP |
| Float | : Dia 50, 60, 75, Non Standard |
| Max Temperature | : 150° C (Higher temperature on request) |
| Max Pressure | : 20Kg/Cm ² (Higher pressure on request) |



Ordering Information



Filpro Sensors Pvt. Ltd.

No 130, 10th Cross, Petechennappa Industrial Estate, Kamakshipalya,
Magadi Main Road, Bangalore - 560 079. Phone : 080 23286463
E-mail : sales@filprosensors.com
Website : www.filprosensors.com