

Horizontal Level Switch



PP Horizontal Level Switch has a permanent magnet moulded inside the float & Reed Switch inside the Switch Housing.

It is used to measure point level in tanks. Very widely used to measure low & high / Middle level in tanks.

Application : Water, Oil, Chemical, Acids, Alkali, Beverages, Solvents & Fuels.

Electrical Characteristics

@ 25°C

Contact form		SPST
Contact rating max.	W/VA	50
Switching voltage max.	VDC	200
	VAC	250
Switching current max.	A	1.5
Carry current max.	A	2.0
Breakdown voltage min.	VDC	400
Total resistance max. (initial)	mΩ	200

Environmental Characteristics

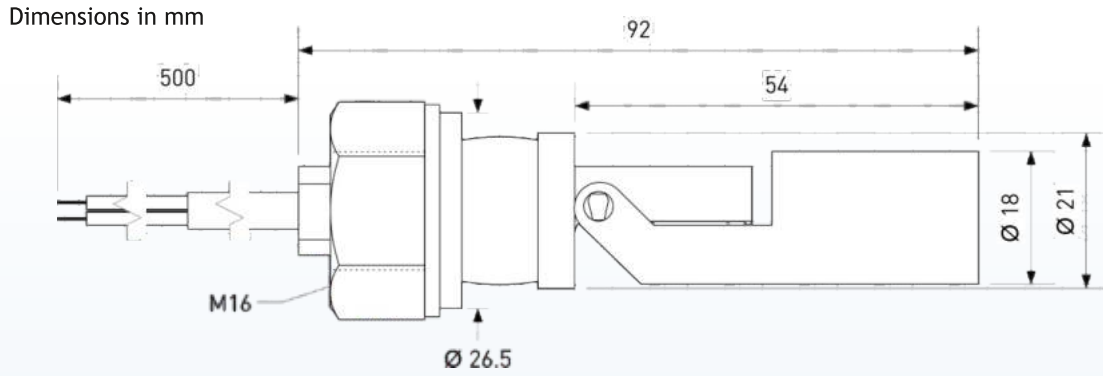
Operating temperature	°C	-20 to +65
Storage temperature	°C	-20 to +65

Mechanical Characteristics

Width across flats (hex)	mm	24
Density of float typ.*	g/cm ³	0.7
Recommended density of medium	g/cm ³	Density of float + 20%

* In delivery condition

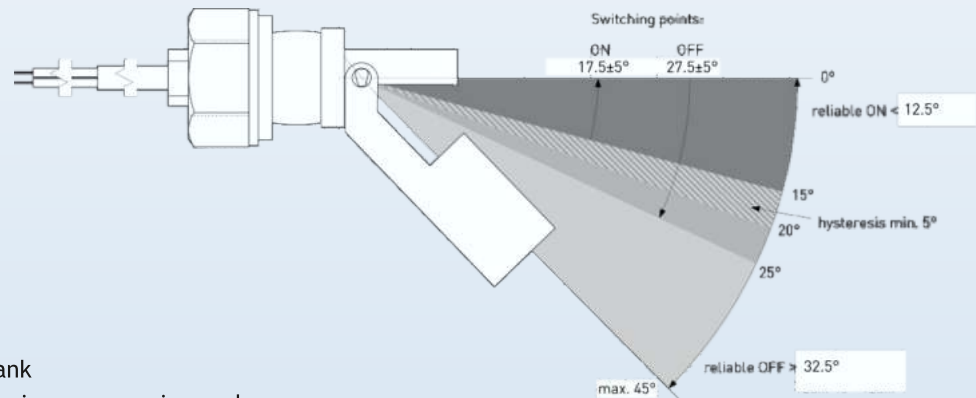




Material Information

Housing material	PP, black
Potting material	Epoxy, black
Cable information	UL 2464, AWG 22 red + black, jacket cable black, 500±10mm length, 20mm dismantled, 4mm stripped and tinned
Float	PP, black
Compression Seal	EPDM, black
Nut	PP, black, M 16 x 12mm
Washer	PP, black

Operating Specifications



Mounting of Level Switch

Mountable from outside of tank
To be fixed with nut by squeezing compression seal

Recommended inner dia of hole min.	mm	21.5
Recommended wall thickness max.	mm	6.0
Recommended surface of hole	Rz 10, edges without burr	

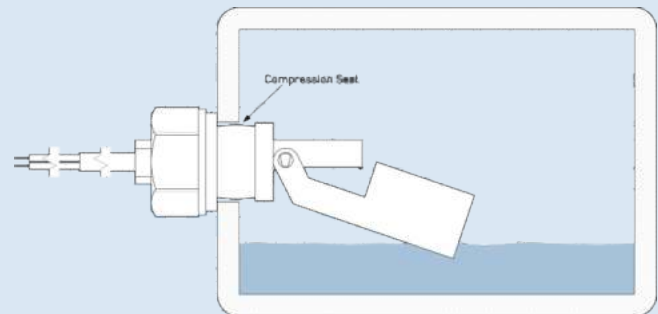
Remarks

When mounted near ferromagnetic parts switching distance may vary. Electromagnetic influences and magnetic fields may change the switching behaviour of the Level Sensor

RoHS

IP 67

REACH



Make : PIC, Germany

Filpro Sensors Pvt. Ltd.

No 130, 10th Cross, Petechennappa Industrial Estate, Kamakshipalya, Magadi Main Road, Bangalore - 560 079. Phone : 080 23286463
E-mail : sales@filprosensors.com, Website : www.filprosensors.com



An ISO 9001:2015 Company